



Wall Arm



FEATURES AND SPECIFICATIONS

Easily converts any Stand Dryer into a wall mounted dryer.

Simple operation with little maintenance.

Solid steel frame with ABS cover plates.

Power Cord runs through the Wall Arm eliminating tangles.

Full Arm reach of 72", with 48" of adjustable height

Can be purchased by itself to upgrade your dryer or can be purchased with a new dryer.

All metal frame construction, Made in the USA.

PRICE: \$450.00 MSRP

W1000 - Speedy Wall Arm with Attachments for V-1000X and CL-5000

W1200 - Speedy Wall Arm with Attachments for V-100X

W1500 - Speedy Wall Arm with Attachments for D-15

[See The Wall Arm In Action With Our YouTube Video Here.](#)

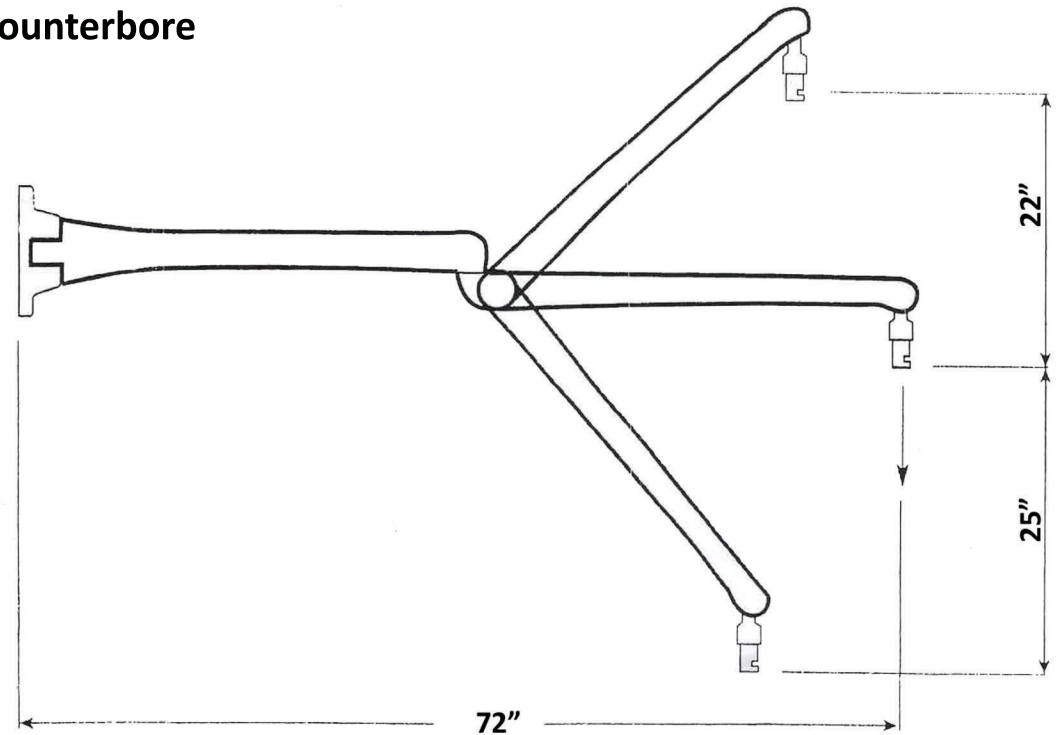
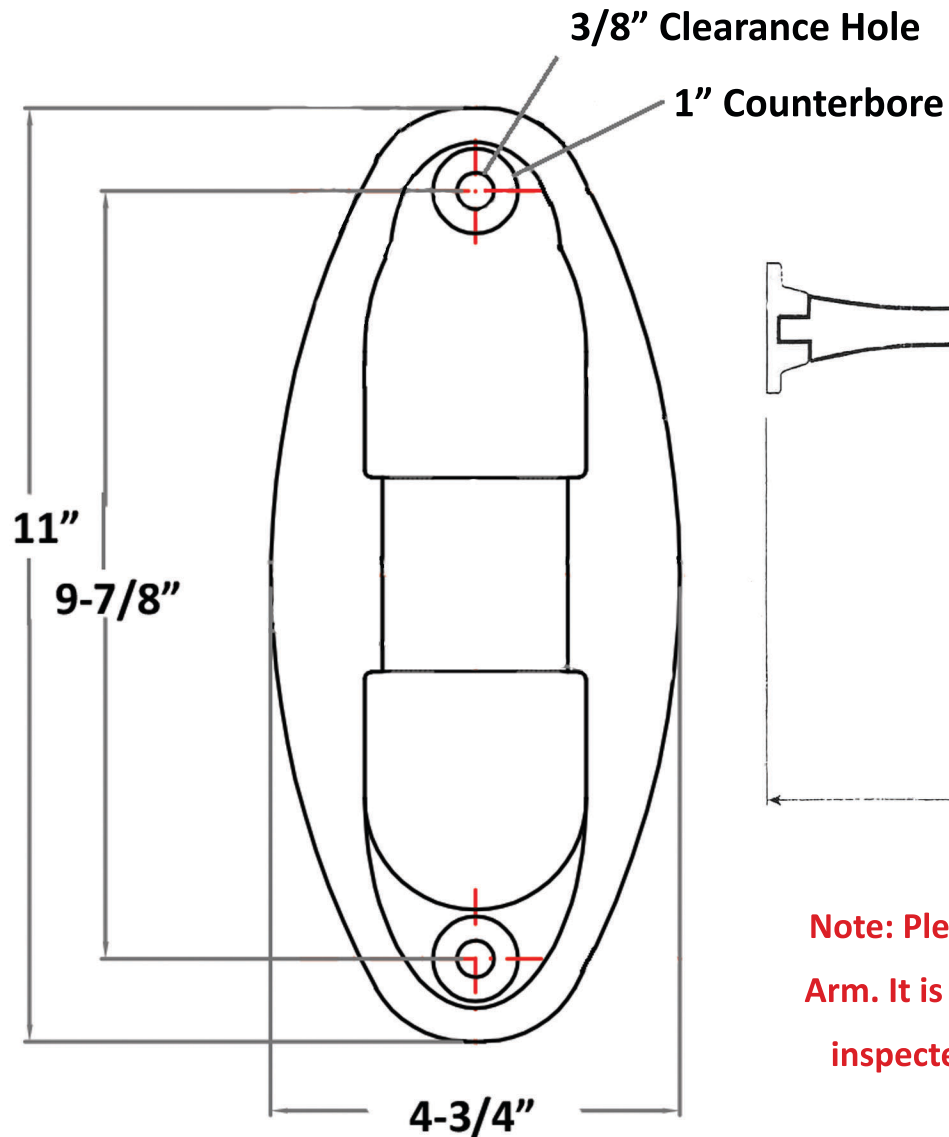
Speedy WALL ARM PRICE LIST 2022 DRYER

Pricing effective 08/03/22 - subject to change



MODEL	DESCRIPTION	WARRANTY	MSRP
W-1000W	Wall Arm, Single	2 years, parts and labor	\$ 450.00
CL-5000W	The Ultimate Cyclone 5000 w/ Wall Arm	Lifetime Warranty ¹	\$ 1,279.00
V-1000 W	Our Most Popular Dryer w/ Wall Arm	2 years, parts and labor	\$ 1,149.00
V-100W	More Heat Than the V-1000X w/ Wall Arm	2 years, parts and labor	\$ 1,149.00
D-15W	The Rocket, Small and Quiet	2 year, parts and labor	\$ 1,079.00

1. Lifetime warranty applies to original purchaser, requires factory service at least once every 24 months, and covers motor, heating element, and switch.
2. Excludes hoses and nozzles.



Note: Please read Wall Arm Manual fully before installing Wall Arm. It is strongly recommended to have mounting completed or inspected by a professional. Wall and support must support 300+ pounds.

Consider outlets, storage and arm reach when choosing a location.

Speedy Dryer Wall Arm

Usable At Any Angle



Speedy DRYER

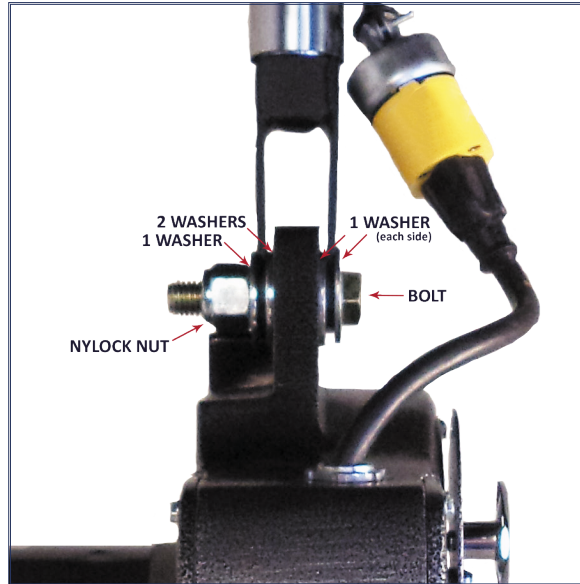


Fig 1.

WARRANTY

THIS ACCESSORY CARRIES A 2 YEAR WARRANTY

This equipment carries a 2 year warranty which exclusively covers manufacturer's defect. Speedy Dryer is not responsible for damage from abuse, misuse or neglect. Upon approval, the defective part or entire unit will be returned for repair or replacement. We bear no responsibility for any outside labor or other outside charges due to downtime associated with replacement or repair of this equipment under this warranty.



www.speedydryer.com
OR CALL US AT 800-822-6628



Speedy Dryer
1 Line Street, Nanticoke PA 18634

sales@speedydryer.com

W-1000

Wall Mount Arm

INSTRUCTIONS AND WARRANTY

Congratulations!

You have just purchased a genuine Speedy accessory for your Speedy dryer. This wall mount has been designed specifically for use with your dryer. Please read this manual over before installing or using your new Speedy Dryer Wall Mount.

WARNINGS AND IMPORTANT INFORMATION:

-IT IS RECOMMENDED TO HAVE MOUNTING COMPLETED OR INSPECTED BY A PROFESSIONAL.

-CHOOSE A SOLID FRAMED WALL AND INSTALL ON A STUD OR MOUNT ON A CROSS PIECE BETWEEN TWO STUDS.

-FOR BRICK AND CONCRETE WALLS USE WELL ANCHORED BOLTS.

-WALL AND MOUNTS SHOULD BE STRUCTURED TO HANDLE 350+ POUNDS.

-IT IS RECOMMENDED TO SHORTEN THE DRYER'S LINE CORD. THIS SHOULD BE DONE BY A PROFESSIONAL ELECTRICIAN.

-KEEP ELECTRICAL OUTLETS IN MIND WHEN CHOOSING A LOCATION.

-WE DO NOT RECOMMEND USE OF AN EXTENSION CORD WITH THIS OR ANY OTHER OF OUR PRODUCTS.

-DO NOT ADD ANY EXTRA WEIGHT TO ARM OR DRYER.

-BE CAREFUL OF COUNTERTOPS AND WALLS WHEN MOVING DRYER FROM STORAGE TO ACTIVE POSITION AND BACK.

-DO NOT HOLD AN OPERATING DRYER BY THE MOTOR OR TUBE AS THESE AREAS GET VERY HOT. USE THE BODY OF THE DRYER OR THE RUBBER INSULATOR TO PIVOT THE DRYER.

-THE USE OF ATTACHMENTS NOT SOLD OR RECOMMENDED BY THE MANUFACTURER MAY CAUSE HAZARDS.

-A SQUARE TOOL WAS INCLUDED WITH THIS WALL MOUNT. PLEASE KEEP THIS TOOL IN A SAFE PLACE AS IT MAY BE NEEDED IN THE FUTURE FOR ADJUSTMENTS.

-INSPECT WALL ARM BEFORE EACH USE FOR DAMAGE AND WEAR

- INSPECT KEY YEARLY FOR WEAR AND REPLACE EVERY 5 YEARS.

DRYER SAFETY REMINDERS:

-Read all instructions before using appliance.

-To protect against electrical hazards, do not immerse in water or any other liquid and do not use while bathing.

-Close supervision is necessary when any appliance is used near children.

-Unplug the appliance from the outlet when not in use and before cleaning.

-Always keep cord away from heated surfaces.

DRYER SAFETY REMINDERS (CONT'D):

-Do not leave appliance unattended when it is operating.

-Do not operate any appliance with a damaged cord or plug, or after the appliance malfunctions or has been dropped or damaged in any manner.

-Do not drop or insert any object into any opening or duct as this may cause an electrical hazard.

-Do not block air openings.

-Do not direct air flow toward eyes or other heat sensitive areas.

INSTALLATION OF DRYER ON MOUNT:

1) Mount arm to wall.

2) If not already off, remove stem and hardware from dryer. Install yoke placing spacers as illustrated in Fig 1. on the back of this manual. Tighten bolt.

3) Remove safety screw from stem on arm, putting screw aside. Slip collar over mount insert on dryer.

4) Insert dryer into arm. Lift up the collar, insert key into open slot until collar can go back down.

5) Reinsert safety screw into stem on arm.

6) Make sure dryer is set to off

7) Keeping arm and dryer supported, plug dryer into arm and arm into outlet.

8) Run dryer, place hand in air flow close to the nozzle to test for possible spin. If so, unplug, disassemble dryer from arm and tighten nut on dryer mount. (Once tightened, repeat steps 5-8 until dryer does not spin on its own.)

10) Using included square tool, tighten spring by turning counter-clockwise. Tighten until you can place the dryer in any position and it remains there. Extend and move dryer in all directions to ensure proper installation.

NOTE: Removing dryer once spring is tightened will cause arm to spring up. It is recommended to loosen spring before removing dryer. Alternatively you may remove dryer while holding arm and slowly release to resting position. To reinstall have one person hold dryer and arm as a second person inserts key.

FIXING MOVEMENT:

-If the arm goes down - tighten spring with square tool counter clockwise.

-If the dryer spins - remove dryer from arm and tighten nut on dryer mount.

(Be cautious of the arm springing up when removing dryer)

-If dryer pivots up or down on its own - tighten bolt assembly on yoke.