

Speedy MNT-900 SERIES

WALL AND STAND MOUNT

INSTALLATION INSTRUCTIONS

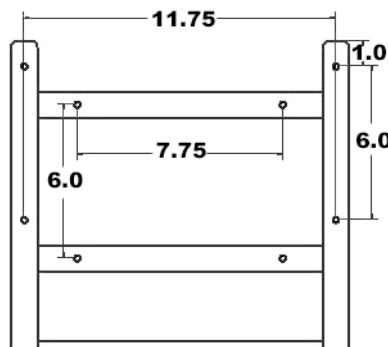
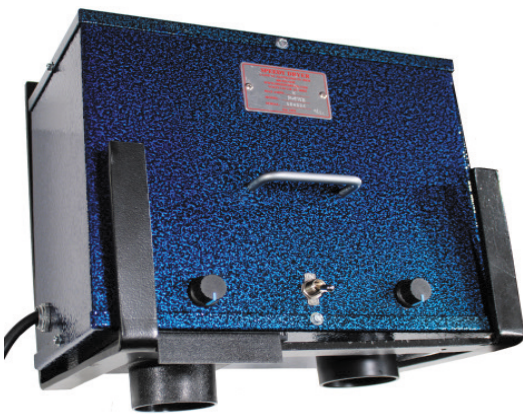


HOUSE STAND MOUNTS

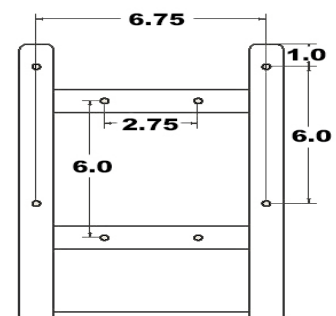
1. Install the two Back Pieces with the bushing between onto the Mount with the circle cut out facing in. Do not tighten.
2. Slip entire mount onto stand.
- 3 Make sure set screws are not protuding yet.
- 4 Tighten bolts until you can slightly move the mount up and down.
5. When at your desired location, tighten the two set screws to lock in place.

ADJUSTABLE STAND MOUNTS

1. Remove the two Back Pieces From Mount
2. Place Mount on Lower Tube of the adjustable stand and screw on back pieces.
- 3 Make sure set screws are not protuding yet.
- 4 Tighten bolts until you can slightly move the mount up and down.
5. When at your desired location, tighten the two set screws to lock in place.



MNT900



MNT960

WALL MOUNTS

When installing on walls be sure to check that your wall can handle the weight of the dryer plus any additional pulling that may occur due to use. The hardware provided is for general use and you should consult with a professional to ensure the hardware is adequate for your specific wall.